



Industrial extension cord 32 A with ModBUS three-phase power meter

KET-RKE-063.P32S32

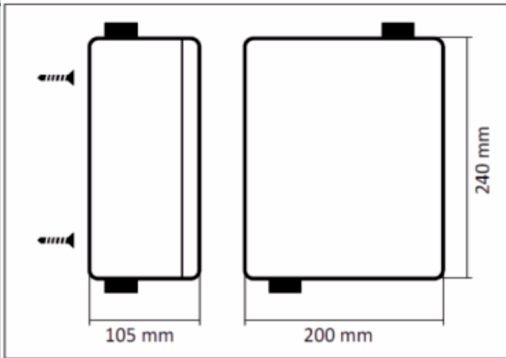
- Integrated Power Meter
- Supports loads up to 32 A
- Extension length of 3 m
- RS485 ModBUS Output

Applications

Versus

KET-RKE-032

KET-RKE-063



LE SPECIFICHE TECNICHE E LE IMMAGINI RIPORTATE IN QUESTA SCHEDA TECNICA SONO SOGGETTE A VARIAZIONI E AGGIORNAMENTI

The **KET-RKE-063.P32S32** is an industrial extension cable complete with **three-phase current meter** that supports loads up to 32 A. It is equipped with an RS485 port to connect to other KET-RKE series in daisy-chain (with KET-RKY-101 accessory cable) and to the Rack Monitor KET-RKS or KET-RKM (with KET-RKY-100 accessory cable). The extension has a total length of 3 m and has a 5-pole connector (3 phases, neutral, ground) of 400 VAC @ 32 A.

CODE

K
E
T
-
P
M
T
-
2
2
8

Technical Features

General specifications	Protection Range: Case: IP56; Socket: IP67 Operative Temperature: -25 ÷ +55 °C Storage Temperature: -30 ÷ +70 °C Relative Humidity: MAX 95% not condensing
Case	Dimensions: 240 x 200 x 105 mm (W x H x D) Mounting: Wall Material: Thermoplastics
Power supply	Supply Voltage: 400 VAC @ 32 A (45-65 Hz) Consumption: < 10 VA (single phase) Connectors types: Industrial extension of 3 m (5 x 6 mm ²) with 5-pin connectors (3 phases, neutral and ground)
Rs485 interface	Supported Protocols: ModBUS RTU Communication Rate: 1200 ÷ 38400 bps Isolation: Class II Connectors types: 1 RJ45 for connection to other extensions and 1 RJ45 for connection to the rack
Current and voltage input	Voltage Inputs: 400 VAC Current Inputs: 32 A @ 45-65 Hz
Certifications	Approvals: CE Metrology: EN62053-21