



ModBUS Gateway with universal interface for all HVAC systems; Daikin VRV version

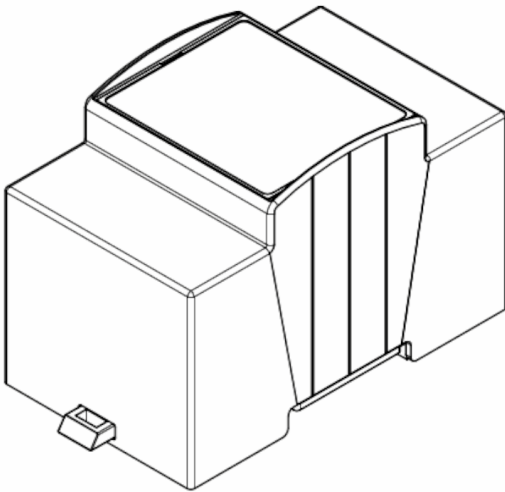
KET-CCL-135.DAI

Applications

Thermoregulation

Versus

KET-RMB-211.CN.35



- Unified Climate ModBus Map (UCLIM) - same ModBUS addresses and registers for every brand (Daikin, Mitsubishi, etc.)
- Zero Configuration - immediate integration without studying proprietary protocols
- Industrial Performance - Instantaneous Response and Comprehensive Diagnostics in Real Time.

Technical Features

General specifications	Protection Range: IP30 Operative Temperature: -10 ÷ +60 °C
Case	Dimensions: 53.5 x 90.5 x 61 mm (L x H x D) Mounting: The DIN rail Required DIN modules: 3 DIN modules Electric Board Type: Industrial or consumer unit Material: Blend PC/ABS self-extinguishing UL94-V0
Power supply	Supply Voltage: 12 ÷ 48 VDC/AC Consumption: 370 mA Connectors types: Pluggable spring terminal blocks
Datalogger function	Memory Type: F-RAM: parameter storage in case of power loss
Rs485 interface	Channels: 1 Master and 1 Slave Supported Protocols: ModBUS RTU Slave to the PLC and ModBUS RTU Master to the HVAC control unit Communication Rate: 9600 to 38400 bps; default set to 38400 bps Isolation: Isolated Connectors types: Pluggable spring terminal blocks
Digital inputs	Channels: 4 digital inputs for dry contact (Max. 30 Hz)
Relay outputs	Channels: 4 SPDT relay digital outputs with NC C NO changeover contact Maximum Switching Voltage: 250 VAC, 24 VDC Maximum Rated Current: 8 A Max. Inrush Peak Currents: High-Inrush Model: Peak current up to 100 A Isolation: 1,000 MOhm min @ 500 VDC
Certifications	Approvals: CE
Compatibility	Control Unit: Daikin Modbus Interface DIII EKMBDXB7V1 Brand: Daikin Controlled Units: VRV Indoor Units