



# KET-RKE-063.P32S32

## Industrial extension cord 32 A with ModBUS three-phase power meter

- Integrated Power Meter
- Supports loads up to 32 A
- Extension length of 3 m
- RS485 ModBUS Output

The **KET-RKE-063.P32S32** is an industrial extension cable complete with **three-phase current meter** that supports loads up to 32 A. It is equipped with an RS485 port to connect to other KET-RKE series in daisy-chain (with KET-RKY-101 accessory cable) and to the Rack Monitor KET-RKS or KET-RKM (with KET-RKY-100 accessory cable). The extension has a total length of 3 m and has a 5-pole connector (3 phases, neutral, ground) of 400 VAC @ 32 A.

### Applications

Data center

### Versius

KET-RKE-032

KET-RKE-063

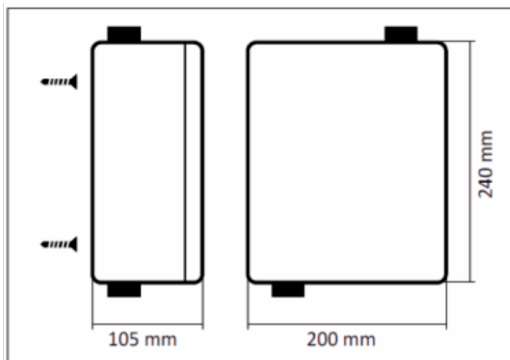
### Accessories

KET-RKM-100

KET-RKS-100

KET-RKY-101

KET-RKY-100



LE SPECIFICHE TECNICHE E LE IMMAGINI RIPORTATE IN QUESTA SCHEDE TECNICA SONO SOGGETTE A VARIAZIONI E AGGIORNAMENTI

### CODE

K  
E  
T  
-  
P  
M  
T  
-  
2  
2  
8

### Technical Features

General specifications	<b>Protection Range:</b> Case: IP56; Socket: IP67 <b>Operative Temperature:</b> -25 ÷ +55 °C <b>Storage Temperature:</b> -30 ÷ +70 °C <b>Relative Humidity:</b> MAX 95% not condensing
Case	<b>Dimensions:</b> 240 x 200 x 105 mm (W x H x D) <b>Mounting:</b> Wall <b>Material:</b> Thermoplastics
Power supply	<b>Supply Voltage:</b> 400 VAC @ 32 A (45-65 Hz) <b>Consumption:</b> < 10 VA (single phase) <b>Connectors types:</b> Industrial extension of 3 m (5 x 6 mm <sup>2</sup> ) with 5-pin connectors (3 phases, neutral and ground)
Rs485 interface	<b>Supported Protocols:</b> ModBUS RTU <b>Communication Rate:</b> 1200 ÷ 38400 bps <b>Isolation:</b> Class II <b>Connectors types:</b> 1 RJ45 for connection to other extensions and 1 RJ45 for connection to the rack
Current and voltage input	<b>Voltage Inputs:</b> 400 VAC <b>Current Inputs:</b> 32 A @ 45-65 Hz
Certifications	<b>Approvals:</b> CE <b>Metrology:</b> EN62053-21