



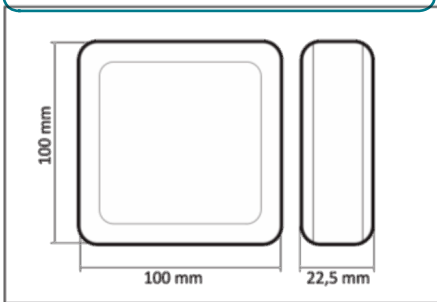
# Presence, temperature and light environmental sensor with ModBUS interface

## KET-TLP-110

### Applications

### Versius

KET-AIR-210



- Perfect integration into BEMS / BMS systems
- 12 VDC power supply
- Input for dry contact
- Suitable for wall or ceiling mounting

KET-TLP-110 is an environmental sensor capable of detecting the movement of people within a radius of about 3-4 meters. The built-in double light sensor allows you to limit the lighting of lights only below a certain lighting threshold that can be set remotely. The temperature sensor completes the characteristics of the device.

The ModBUS interface allows the connection of the KET-TLP-110 to SCADA systems, programmable logic and standard monitoring systems.

The dry contact input can be used for connecting door / window contacts, PIR sensors or control buttons.

Designed to easily integrate into energy supervision and management systems (BMS / BEMS).

### Technical Features

General specifications	<b>Protection Range:</b> IP40 <b>Operative Temperature:</b> -10 ÷ +60 °C <b>Storage Temperature:</b> -15 ÷ +60 °C <b>Relative Humidity:</b> MAX 80% not condensing
Case	<b>Dimensions:</b> 100 x 100 x 22.5 mm (W x H x D) <b>Mounting:</b> Wall mounted with supplied plate <b>Material:</b> ABS, self extinguishing: UL 94 V-0
Power supply	<b>Supply Voltage:</b> 5 ÷ 12 VDC <b>Connectors types:</b> Removable spring clamps
Rs485 interface	<b>Supported Protocols:</b> ModBUS RTU Slave <b>Communication Rate:</b> 9.6, 19.2, 38.4 o 57.6 Kpbs <b>Connectors types:</b> Removable spring clamps
Digital inputs	<b>Channels:</b> 1 for dry contact with detection time at contact variation of about 50ms.
Functionality	<b>Output Power Adjustment:</b> From remote <b>Firmware Upgrade:</b> Via USB C connector <b>Support for public environment:</b> Anti-removal support, keyboard lock
Temperature sensor	<b>Sensor Type:</b> NTC or digital (Only .TH version) <b>Measure Range:</b> -40 ÷ +123.8 °C <b>Precision:</b> ±0.4 ÷ 25 °C <b>Repeatability:</b> ±0.1 °C <b>Resolution:</b> ±0.01 °C
Humidity sensor	<b>Version:</b> Only .TH version <b>Measure Range:</b> 0 ÷ 100%RH <b>Precision:</b> ±3%RH from 20 to 80%RH <b>Repeatability:</b> ±0.1%RH <b>Resolution:</b> ±0.03%RH <b>Hysteresis:</b> ±1%RH <b>Long Period Stability:</b> <0.5%RH/year
Light sensor	<b>Number of sensors:</b> 2, on front and on top <b>Measure Range:</b> 10 ÷ 1000 Lux <b>Response Curve:</b> Similar to that of the human eye
Motion sensor	<b>Measurand:</b> Up to 4 m; Recommended 0 ÷ 3.5 m <b>Viewing Angle:</b> <=100° cone angle, distance <=4m