



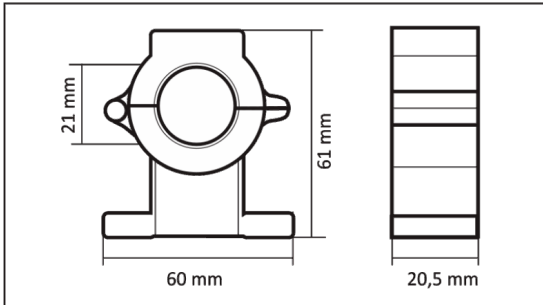
Hall effect openable current sensor with measuring range 200 A

- Open loop structure
- Easy to install
- Measuring range 200 A
- High precision and good linearity

KET-SHA-020.21

Applications

Monitoring consumption



The **KET-SHA-020.21** is part of a series of newly developed open-loop **Hall current sensors** that can be used to detect DC, AC current signals, even high frequency, pulse and irregular current signals. Isolated on the primary and secondary side, **it ensures maximum electrical safety**. Equipped with 2 m long connection cable, with RJ12 connector, through which power is supplied from a single external DC and stabilized voltage.

Technical Features

General specifications	Operative Temperature: -25 ÷ +80 °C Storage Temperature: -40 ÷ +85 °C
Case	Dimensions: 60 x 61 x 20.5 mm (W x H x D) Cable Diameter: Max 21 mm Material: Self extinguishing: UL 94 V-0
Power supply	Supply Voltage: +5 (±1%)VDC Consumption: <=15 mA Connectors types: RJ12 (6P4C)
Current sensor	Sensor Type: Hall effect openable sensor Current Range: ±200 A Voltage Output: 1.5 ÷ 3.5 V Internal Resistance: >=10 kOhm Precision: <=2 .0% (T=25°C VC=±15V) Linearity: <=2 .0% (T=25°C) Hi Pot Test: 3.0 kV/Min
Certifications	Referends Standard: RoHS Compliant